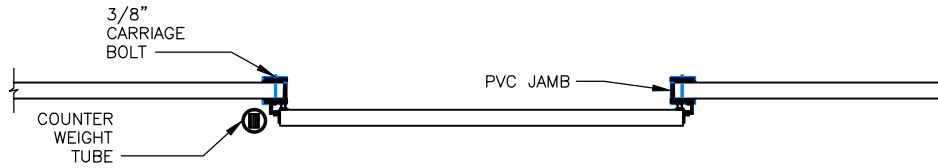


① SCALE: 1/4" = 1'-0"

②

③ SCALE: 1/4" = 1'-0"



④ SCALE: 1/4" = 1'-0"

**Vertical Lift Door with Backup Casings and Return Jamb**

**Model EFD-VLM**

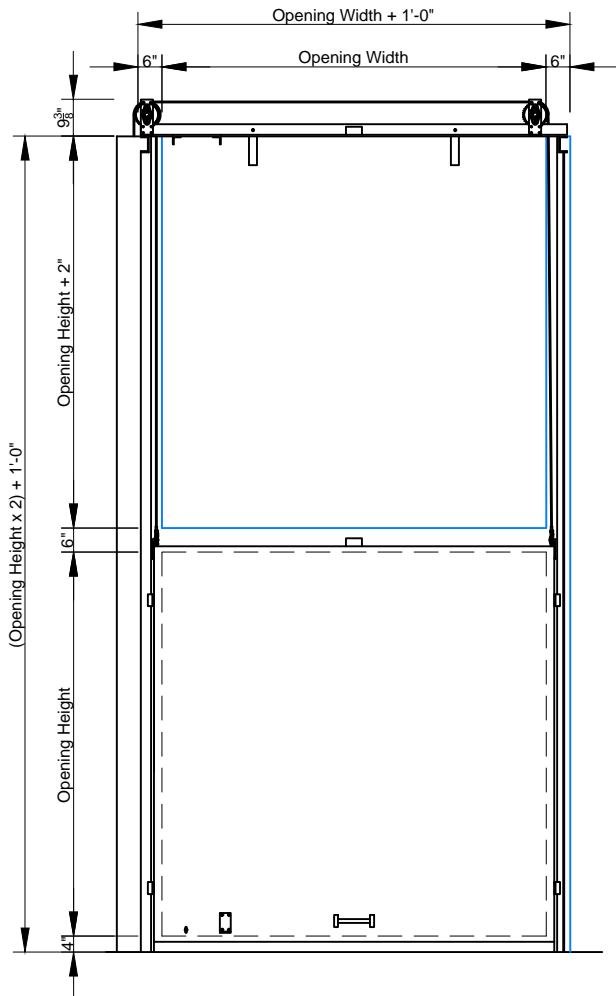
Left-Hand Counterweight

Exterior Pull Handle with Interior Recessed Handle

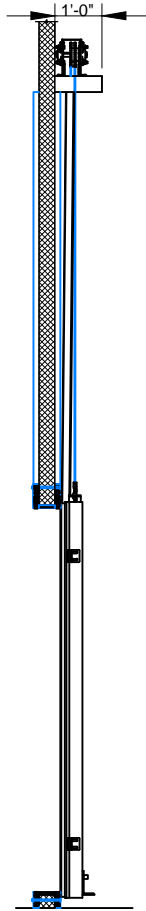
- ① ELEVATION – SWEEP BOTTOM VERTICAL DOOR (EXTERIOR)
- ② SECTION – SWEEP BOTTOM VERTICAL DOOR
- ③ ELEVATION – SWEEP BOTTOM VERTICAL DOOR (INTERIOR)
- ④ JAMB – SWEEP BOTTOM VERTICAL DOOR

ALL DRAWINGS ARE 1/4" = 1'-0" SCALE UNLESS OTHERWISE NOTED

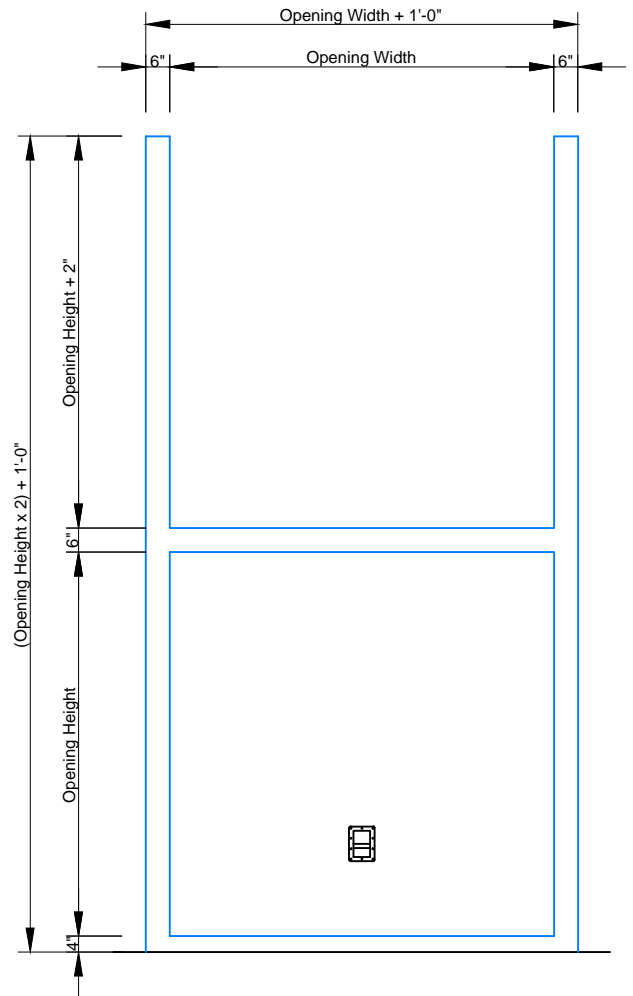




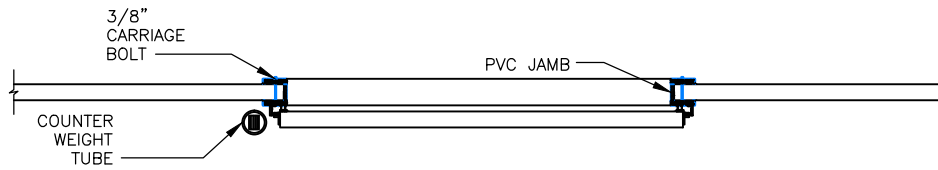
⑤ SCALE: 1/4" = 1'-0"



⑥



⑦ SCALE: 1/4" = 1'-0"



⑧ SCALE: 1/4" = 1'-0"

**Vertical Lift Door with Backup Casings and Return Jamb**

**Model EFD-VLM**

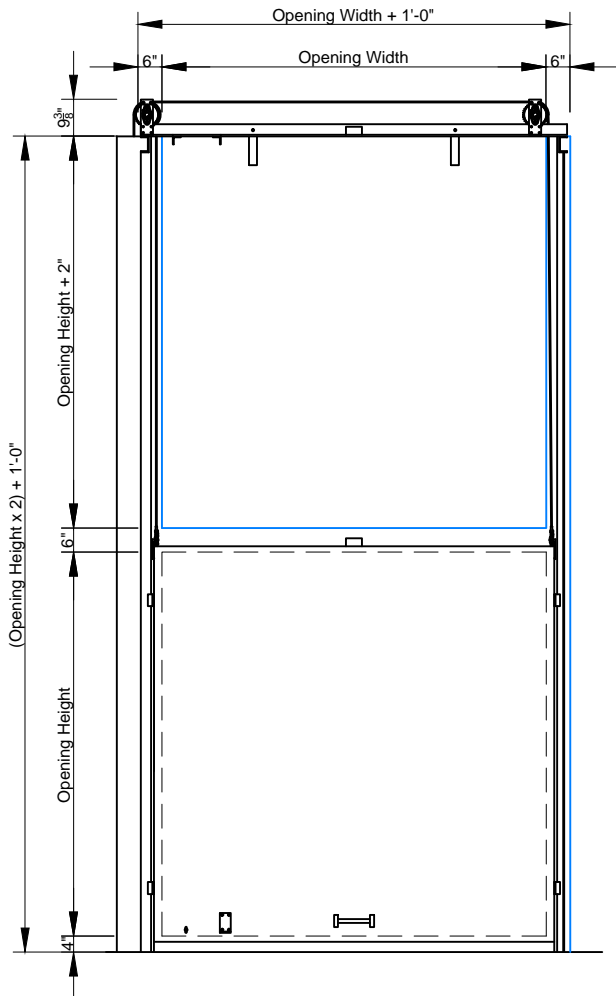
Left-Hand Counterweight

Exterior Pull Handle with Interior Recessed Handle

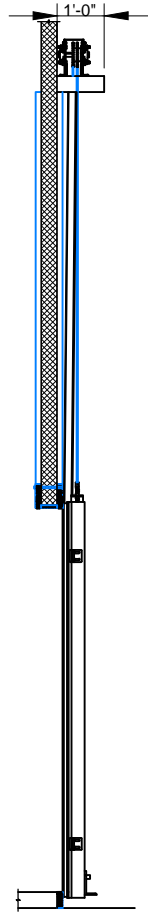
- ⑤ ELEVATION – HIGH SILL STEP OVER VERTICAL DOOR (EXTERIOR)
- ⑥ SECTION – HIGH SILL STEP OVER VERTICAL DOOR
- ⑦ ELEVATION – HIGH SILL STEP OVER VERTICAL DOOR (INTERIOR)
- ⑧ JAMB – HIGH SILL STEP OVER VERTICAL DOOR

ALL DRAWINGS ARE 1/4" = 1'-0" SCALE UNLESS OTHERWISE NOTED

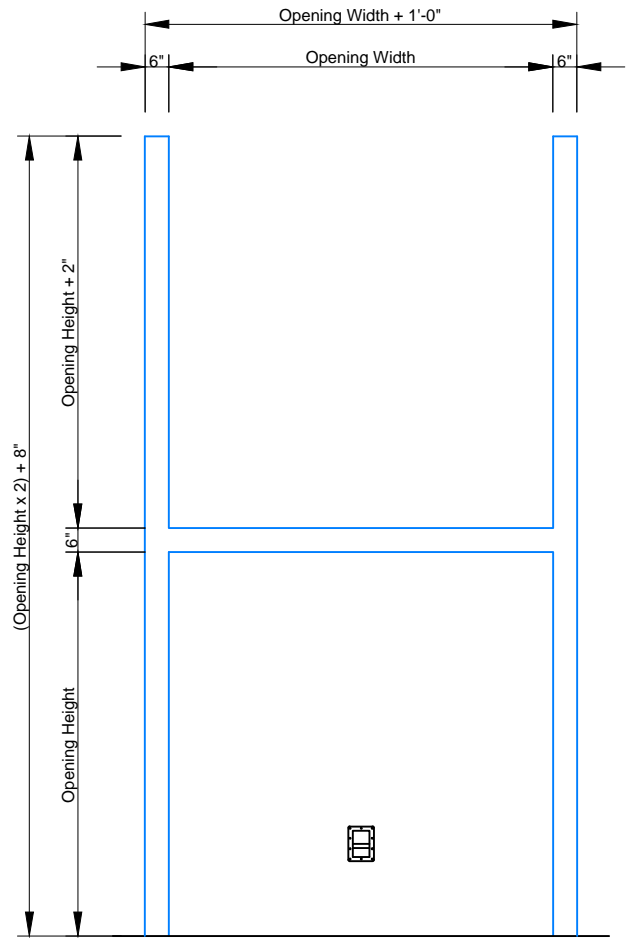




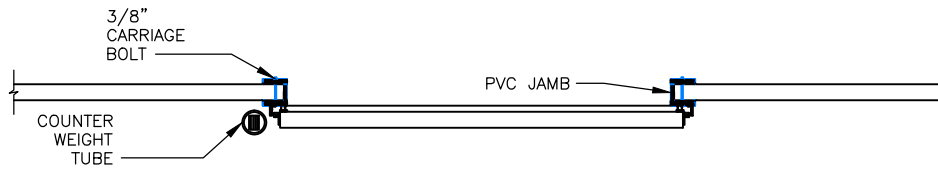
⑨ SCALE: 1/4" = 1'-0"



⑩



⑪ SCALE: 1/4" = 1'-0"



⑫ SCALE: 1/4" = 1'-0"

Vertical Lift Door with Backup Casings and Return Jamb

Model EFD-VLM

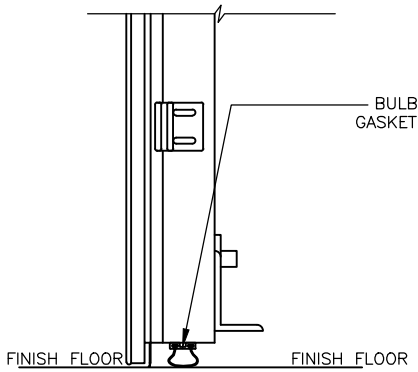
Left-Hand Counterweight

Exterior Pull Handle with Interior Recessed Handle

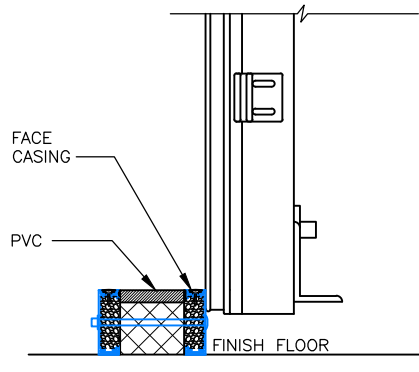
- ⑨ ELEVATION – HIGH SILL VERTICAL DOOR (EXTERIOR)
- ⑩ SECTION – HIGH SILL VERTICAL DOOR
- ⑪ ELEVATION – HIGH SILL VERTICAL DOOR (INTERIOR)
- ⑫ JAMB – HIGH SILL VERTICAL DOOR

ALL DRAWINGS ARE 1/4" = 1'-0" SCALE UNLESS OTHERWISE NOTED

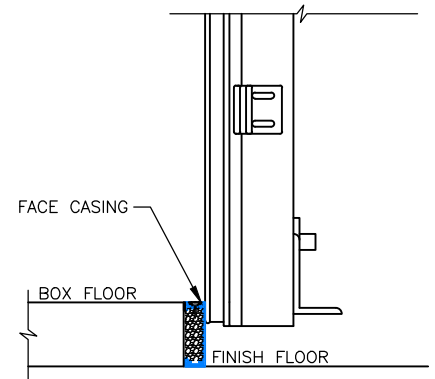




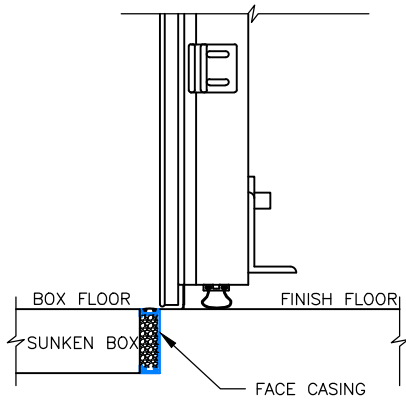
⑬ SCALE: 1" = 1'-0"



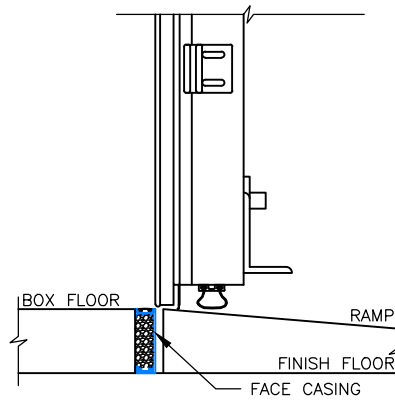
⑭ SCALE: 1" = 1'-0"



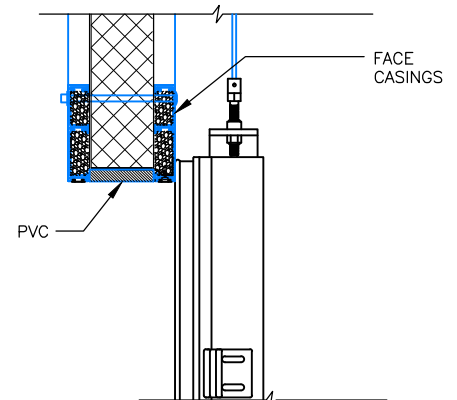
⑮ SCALE: 1" = 1'-0"



⑯ SCALE: 1" = 1'-0"



⑰ SCALE: 1" = 1'-0"



⑱ SCALE: 1" = 1'-0"

- ⑬ SILL DETAIL – SWEEP BOTTOM
- ⑭ SILL DETAIL – HIGH SILL STEP OVER
- ⑮ SILL DETAIL – HIGH SILL
- ⑯ SILL DETAIL – HIGH SILL WITH SUNKEN BOX FLOOR
- ⑰ SILL DETAIL – HIGH SILL WITH RAMP
- ⑱ HEAD – SLIDING DOOR – INSULATED METAL PANEL

